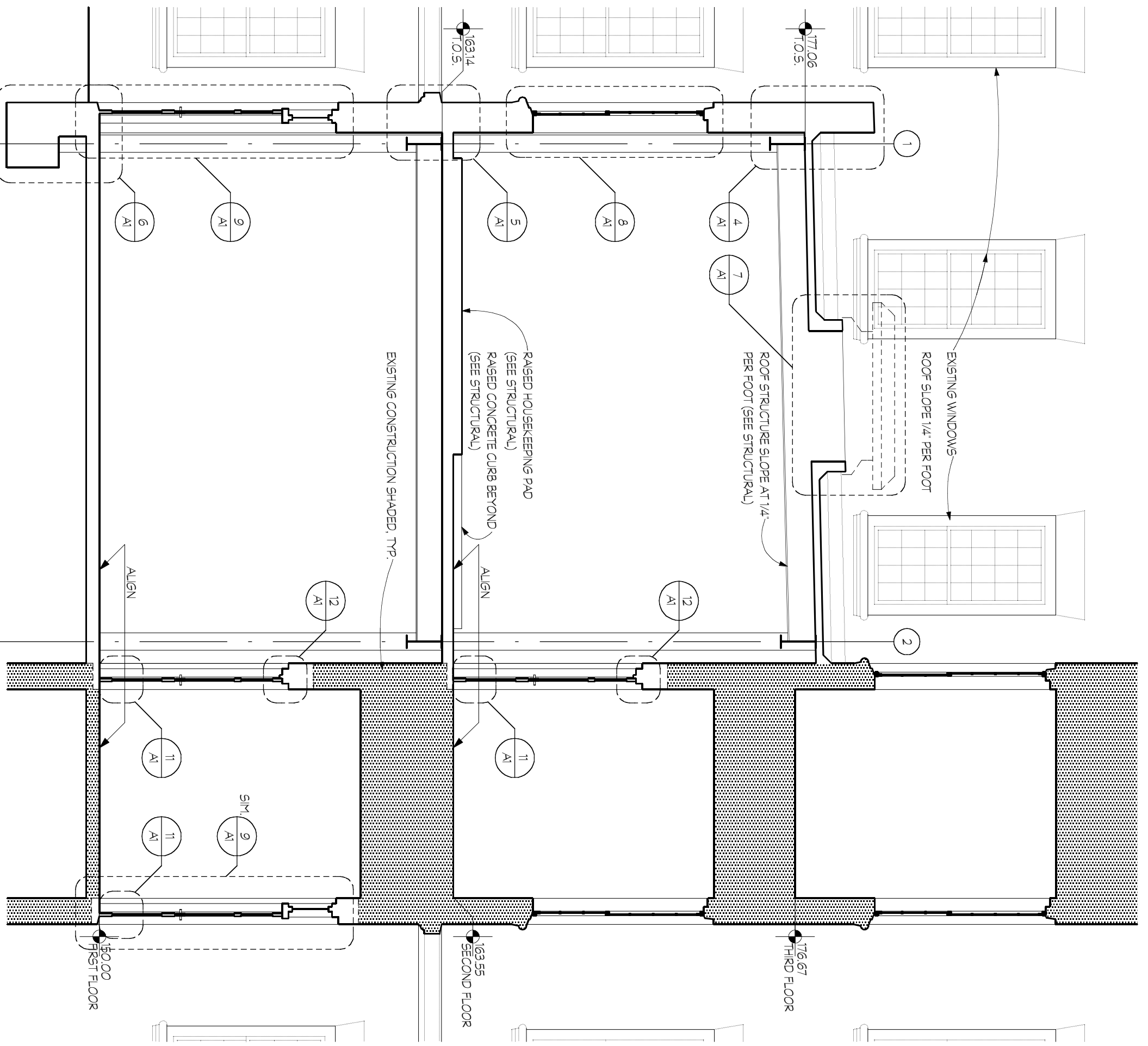
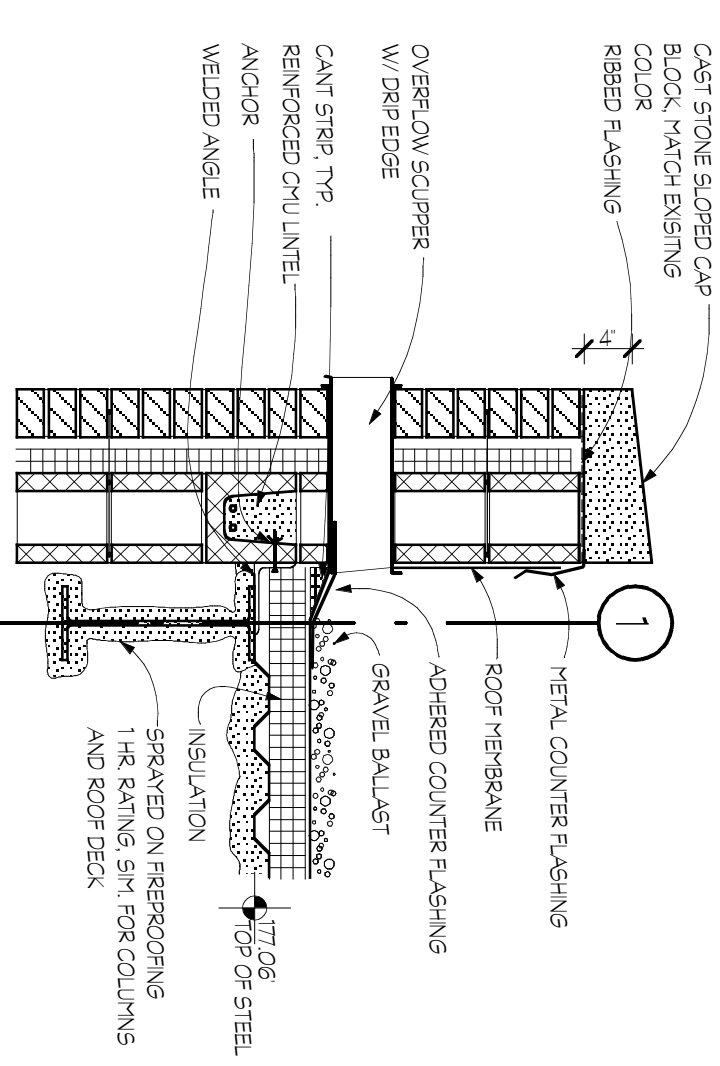


1 WEST ELEVATION
A1 SCALE 1/4" = 1'0"

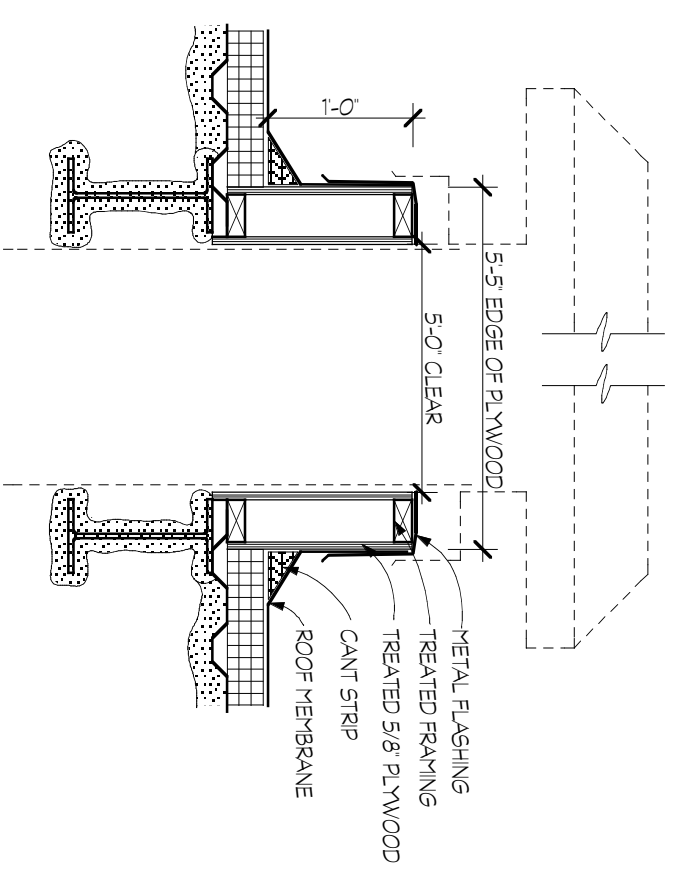
2 EAST ELEVATION
A1 SCALE 1/4" = 1'0"



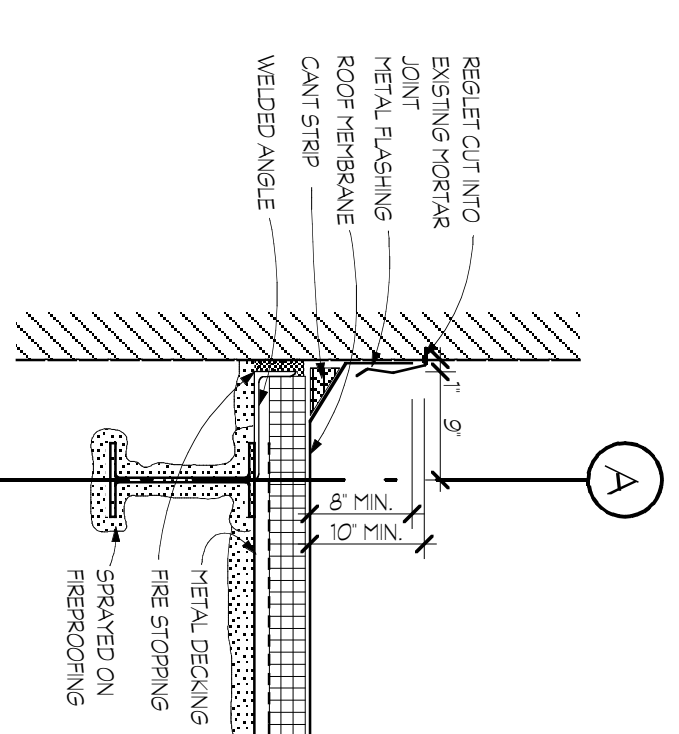
3 BUILDING SECTION
A1 SCALE 1/4" = 1'0"



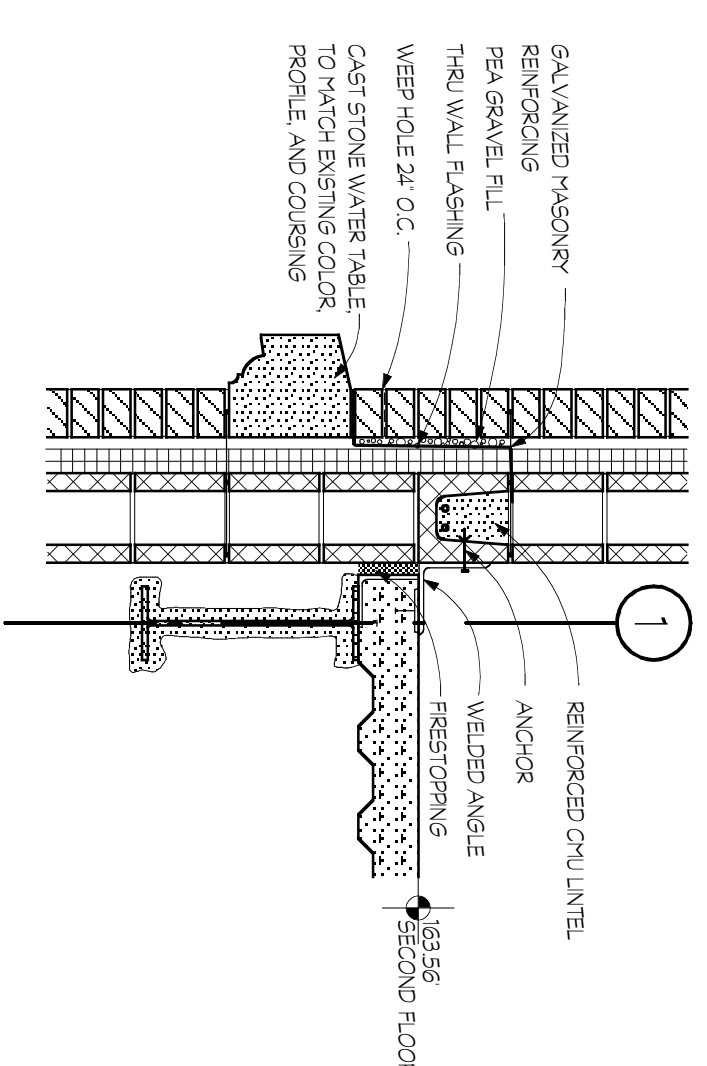
4 PARAPET AND SCUPPER DETAIL
A1 SCALE 3/4" = 1'0"



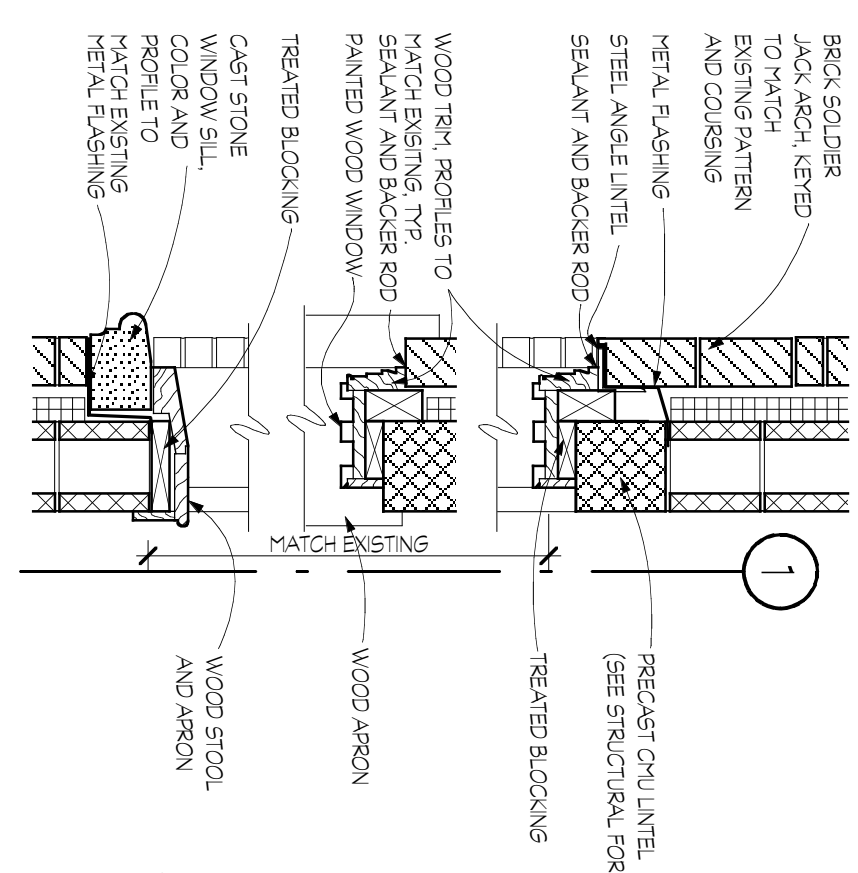
7 CURB DETAIL
A1 SCALE 3/4" = 1'0"



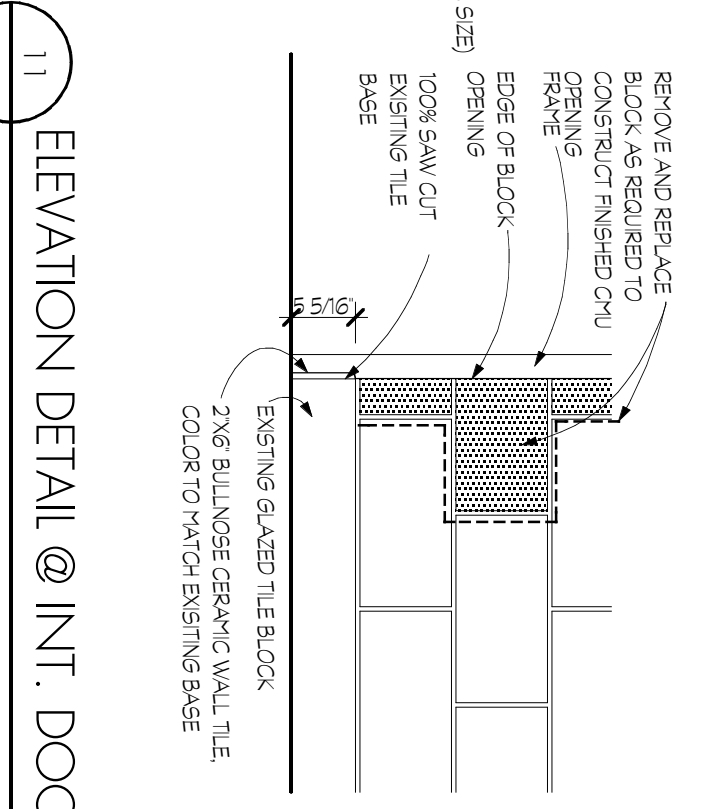
10 ROOF @ EXISTING WALL, TYP.
A1 SCALE 3/4" = 1'0"



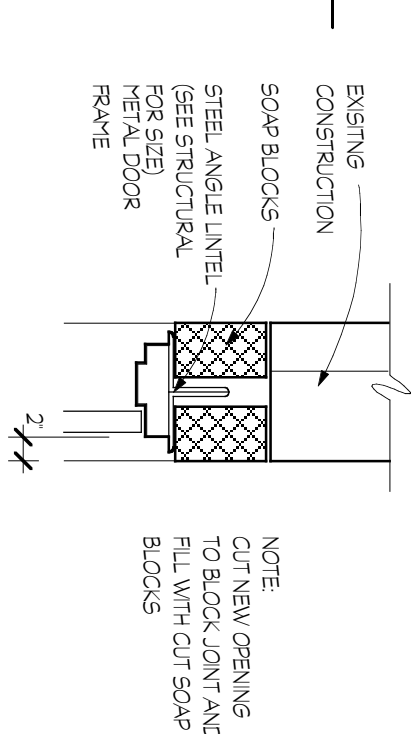
5 WATERTABLE / SECOND FLOOR DETAIL
A1 SCALE 3/4" = 1'0"



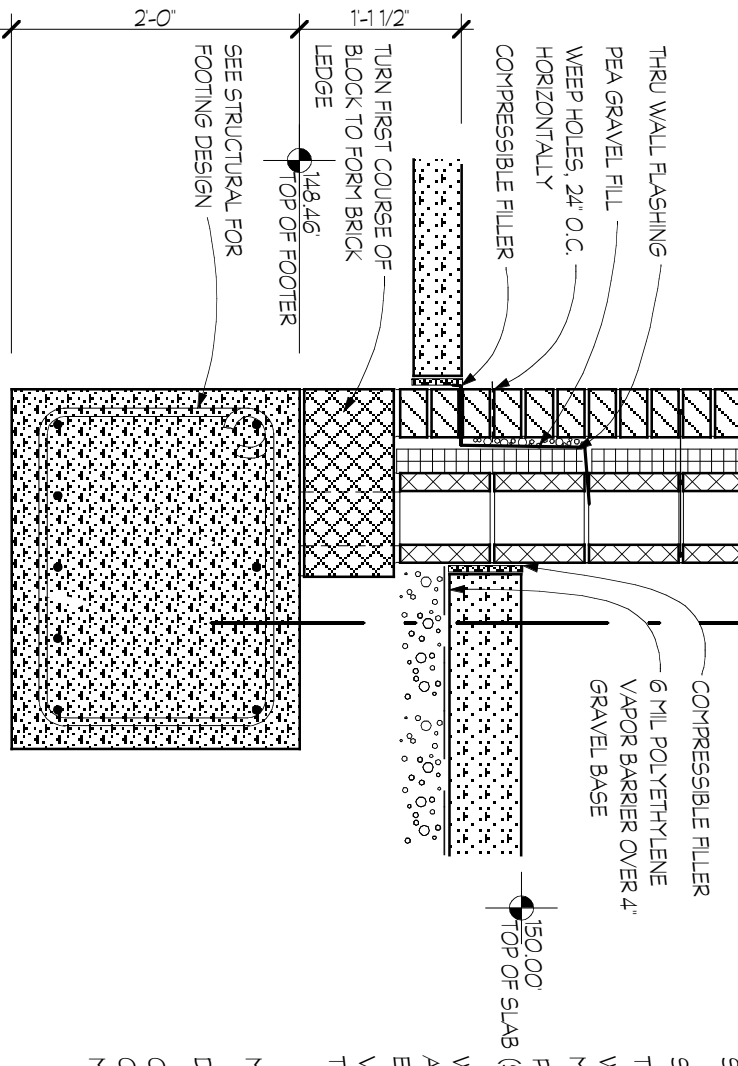
8 SILL, JAMB & HEAD DETAIL @ WINDOW
A1 SCALE 3/4" = 1'0"



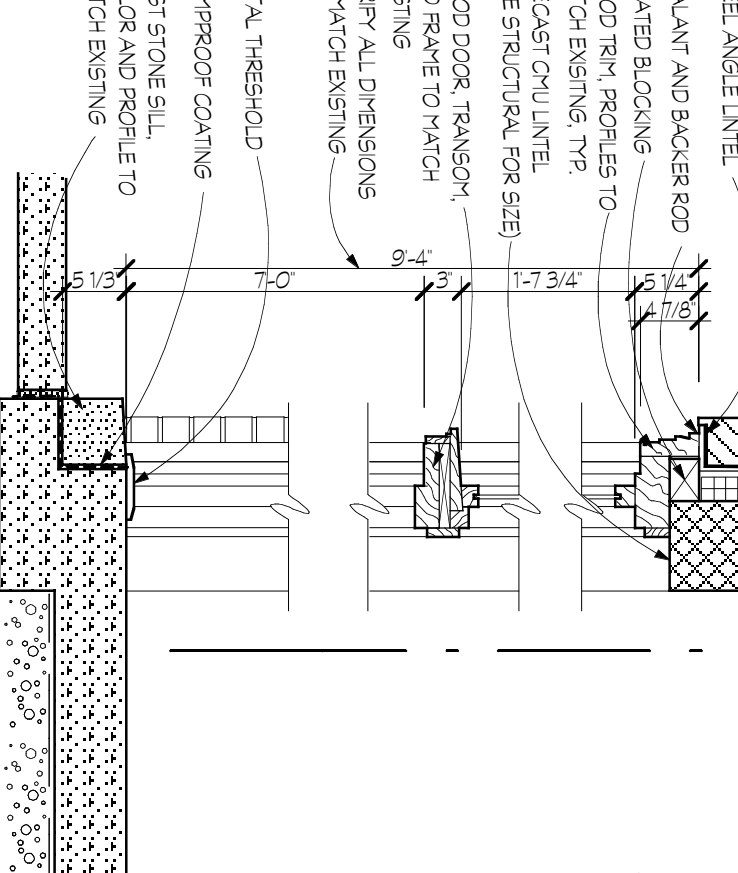
11 ELEVATION DETAIL @ INT. DOORS
A1 SCALE 3/4" = 1'0"



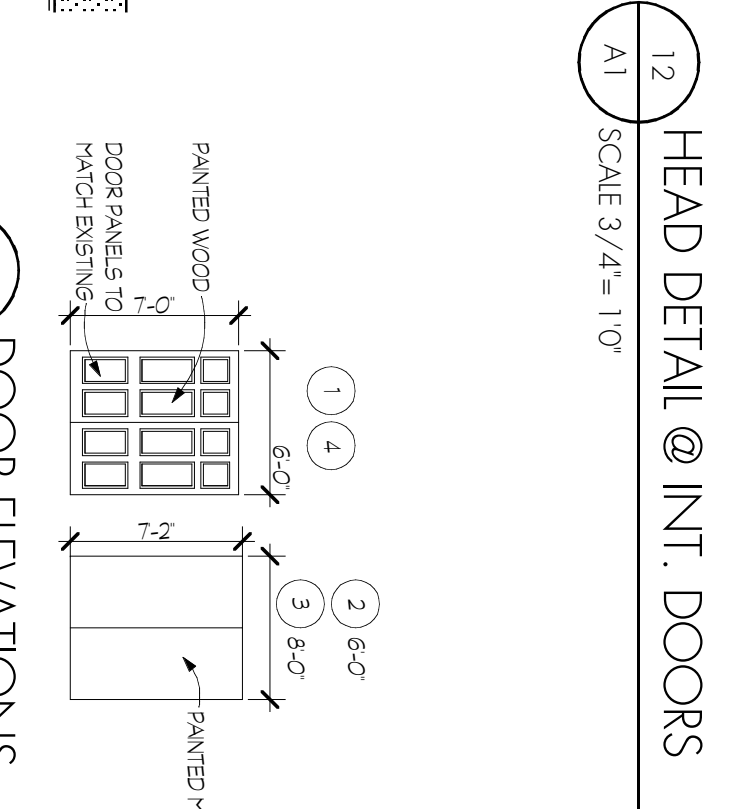
12 HEAD DETAIL @ INT. DOORS
A1 SCALE 3/4" = 1'0"



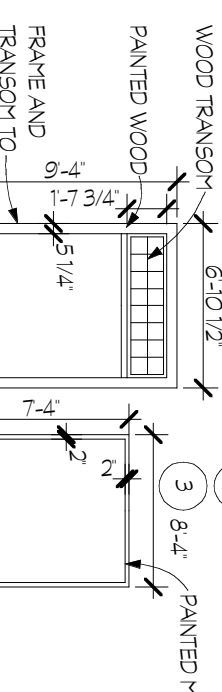
6 FOUNDATION DETAIL @ WALL
A1 SCALE 3/4" = 1'0"



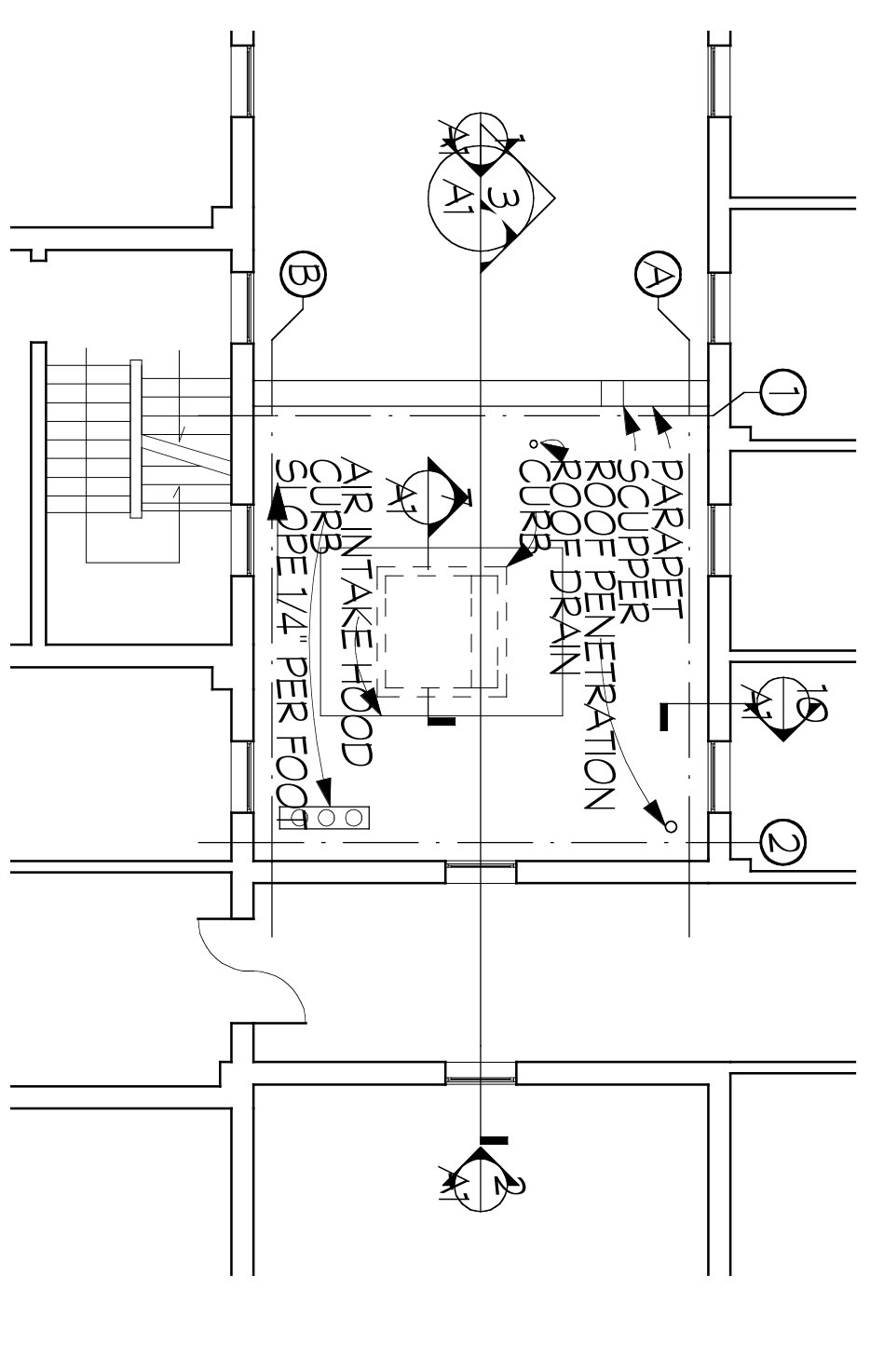
9 SILL, JAMB & HEAD DETAIL @ EXT. DOOR
A1 SCALE 3/4" = 1'0"



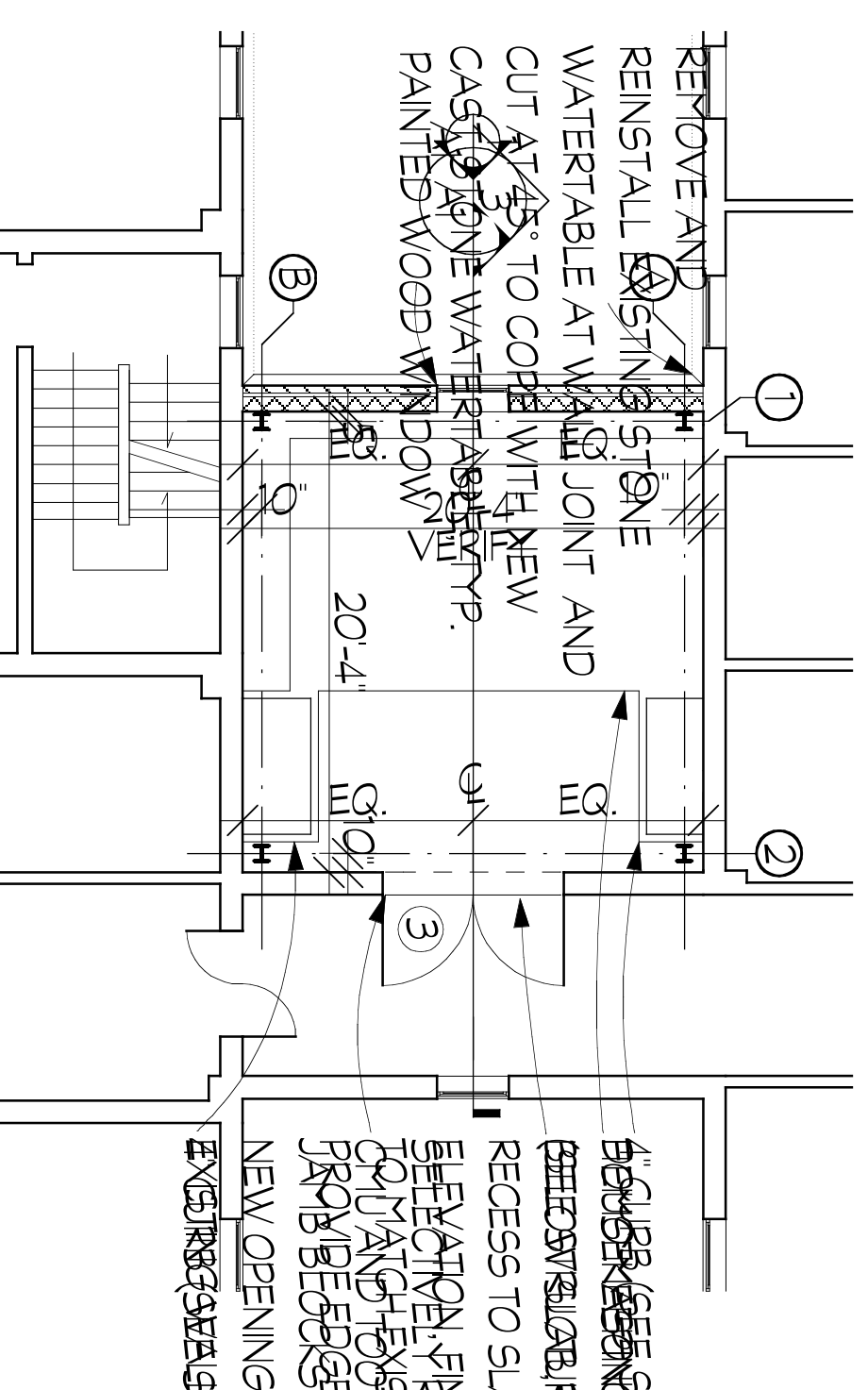
16 DOOR ELEVATIONS
A1 SCALE 1/4" = 1'0"



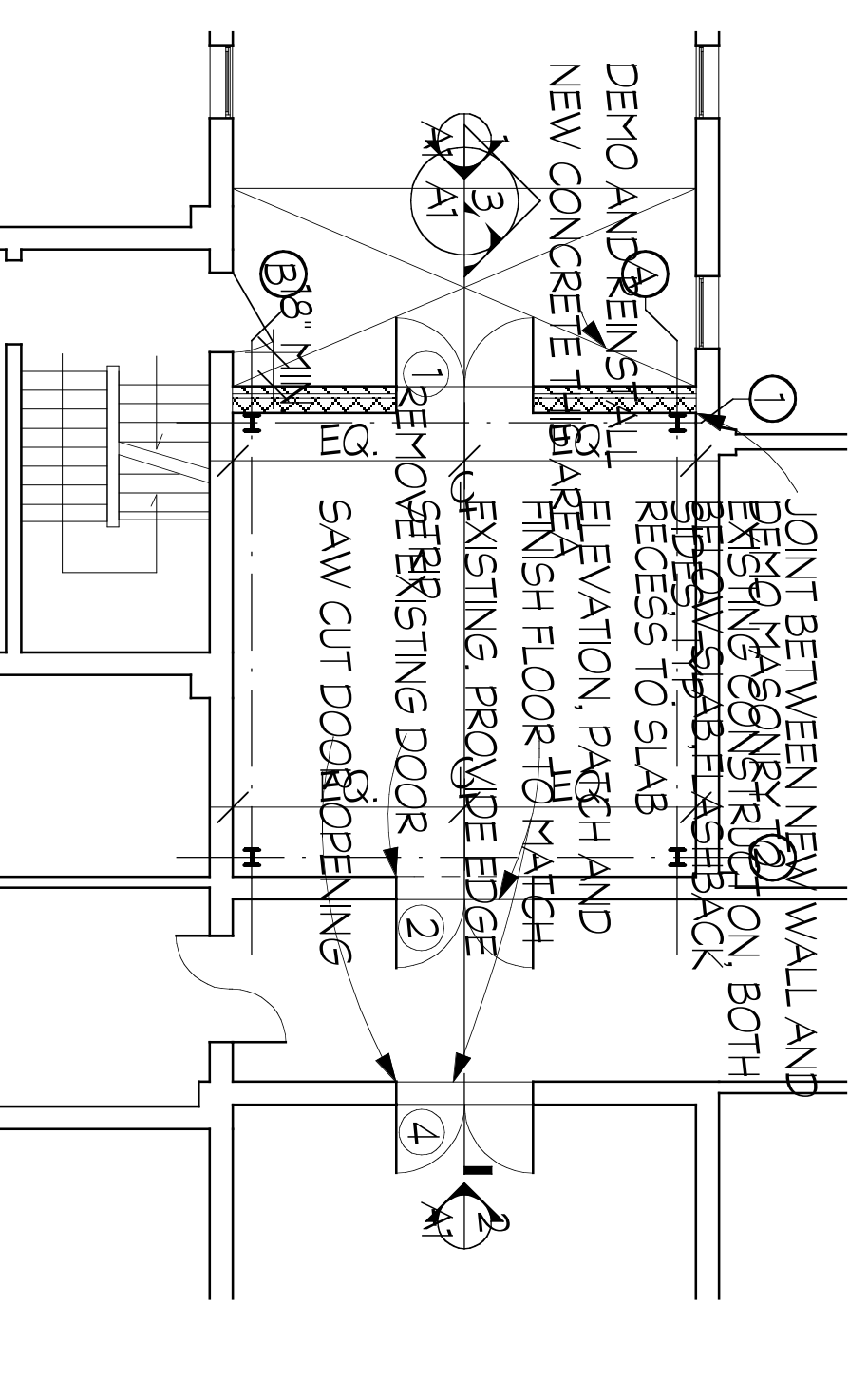
17 FRAME ELEVATIONS
A1 SCALE 1/4" = 1'0"



15 SCALE 1/8" = 1'0"



14 SCALE 1/8" = 1'0"



13 SCALE 1/8" = 1'0"

Melville Thomas Architects, Inc. ARCHITECTURE & PLANNING 600 Westport Avenue Suite 245 Baltimore, Maryland MD 21210 Tel. 410.648.4400 Fax 410.648.4719 www.mtao.com		Mueller Associates, Inc. Consulting Engineers 1401 Sedgebrook Street Baltimore, Maryland 21227 Tel 410.648.4300 Fax 410.648.4738 www.muellerinc.com	
APPROVED BY	DATE	DESCRIPTION	DATE
DESIGN AGENCY	DATE		
DATE	DATE		
DATE	DATE		
DATE	DATE		
DATE	DATE		
DATE	DATE		
DATE	DATE		
DATE	DATE		
DATE	DATE		
DATE	DATE		