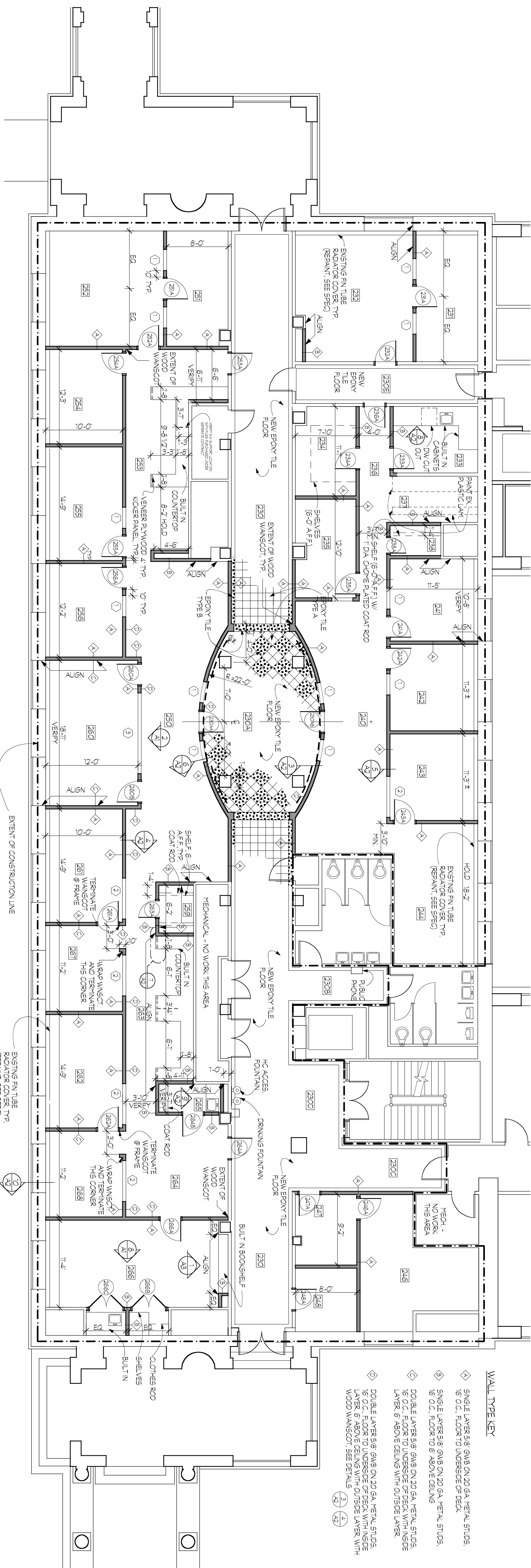
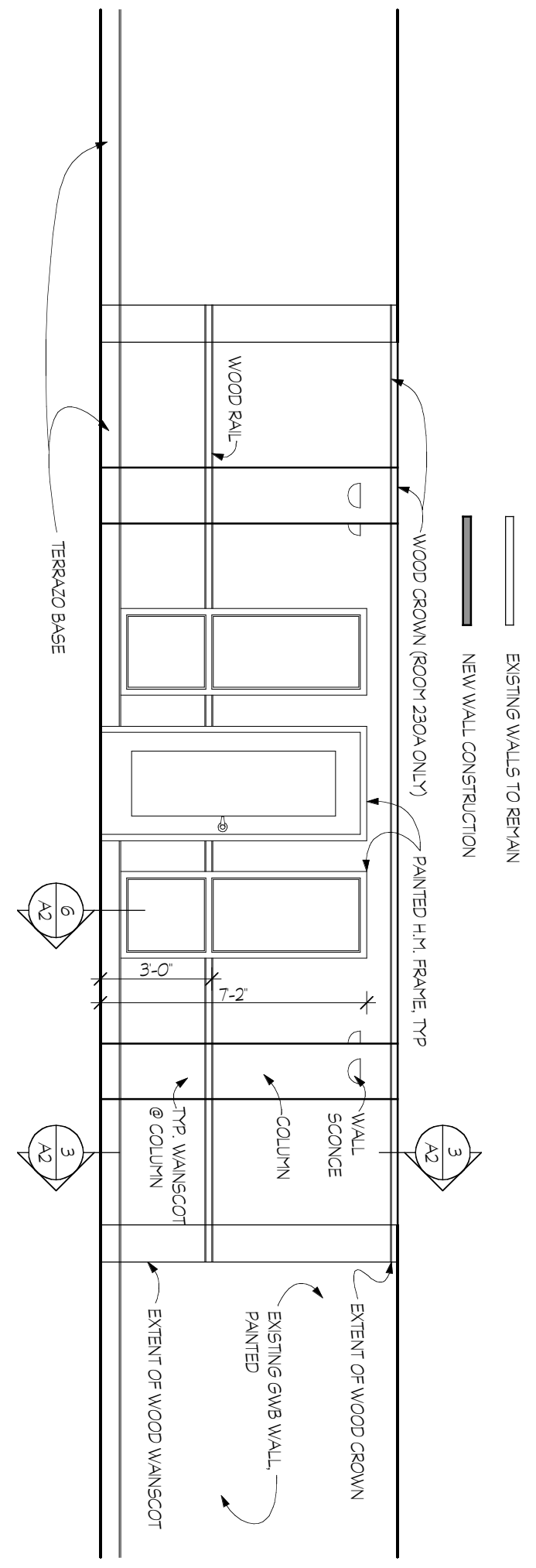


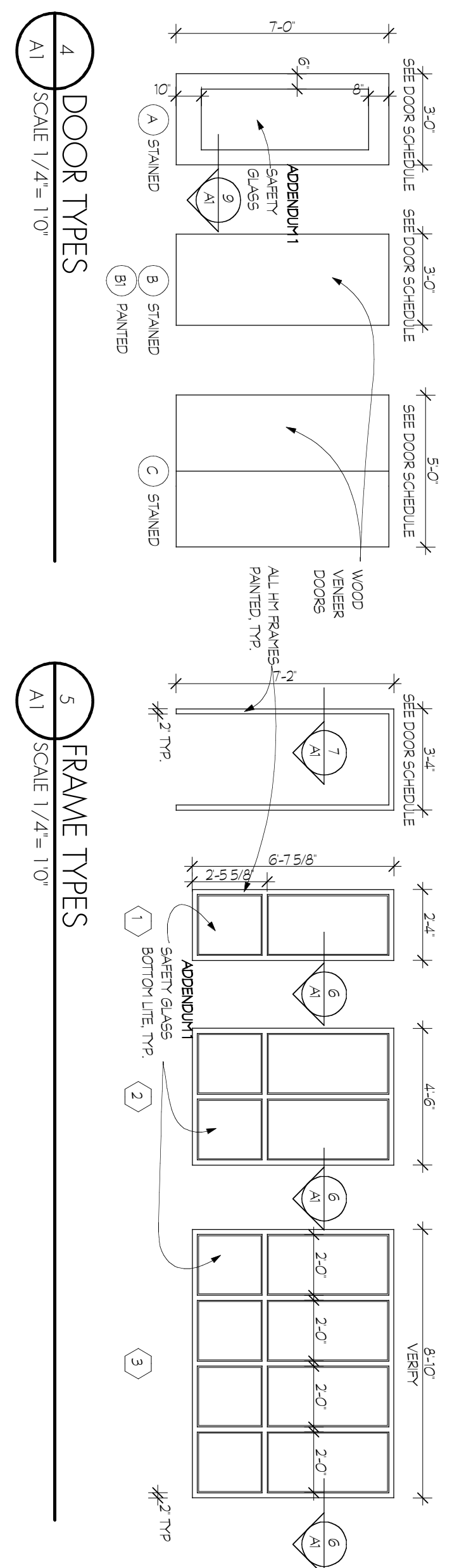
2 OFFICE ELEVATION
A1 SCALE 1/4" = 10'



1 SECOND FLOOR PLAN - MERGENTHALER HALL
A1 SCALE 1/8" = 10'



3 ENTRANCE ELEVATION
A1 SCALE 1/4" = 10'



4 DOOR TYPES
A1 SCALE 1/4" = 10'

5 FRAME TYPES
A1 SCALE 1/4" = 10'

SCOPE	FLOOR	BASE	CEILING	WALLS	NOTES
230	EN TILE	EN TILE	AC/GRP BOARD	PAINT	WOOD WANSKOTT PANELING
230A	EN TILE	EN TILE	GRP BOARD	PAINT	
230B	EN TILE	EN TILE	GRP BOARD	PAINT	
230C	EN TILE	EN TILE	GRP BOARD	PAINT	
230D	EN TILE	EN TILE	GRP BOARD	PAINT	
230E	EN TILE	EN TILE	AC	PAINT	
231	VNY	VNY	AC	PAINT	
232	VNT	VNT	AC	PAINT	
233	VNT	VNT	AC	PAINT	
234	VNT	VNT	AC	PAINT	
235	VNT	VNT	AC	PAINT	
236	VNT	VNT	AC	PAINT	
237	VNT	VNT	AC	PAINT	
238	VNT	VNT	AC	PAINT	
239	VNT	VNT	AC	PAINT	
240	VNT	VNT	AC	PAINT	
241	VNT	VNT	AC	PAINT	
242	VNT	VNT	AC	PAINT	
243	VNT	VNT	AC	PAINT	
244	VNT	VNT	AC	PAINT	
245	VNT	VNT	AC	PAINT	
246	VNT	VNT	AC	PAINT	
247	VNT	VNT	AC	PAINT	
248	VNT	VNT	AC	PAINT	
249	VNT	VNT	AC	PAINT	
250	WOOD	GRP BOARD	PAINT/STAIN	WOOD WANSKOTT PANEL ON S WALL	
251	VNT	VNT	PAINT	PAINT	
252	VNT	VNT	PAINT	PAINT	
253	VNT	VNT	PAINT	PAINT	
254	VNT	VNT	PAINT	PAINT	
255	VNT	VNT	PAINT	PAINT	
256	VNT	VNT	PAINT	PAINT	
257	VNT	VNT	PAINT	PAINT	
258	VNT	VNT	PAINT	PAINT	
259	VNT	VNT	PAINT	PAINT	
260	VNT	VNT	PAINT	PAINT	
261	VNT	VNT	PAINT	PAINT	
262	VNT	VNT	PAINT	PAINT	
263	VNT	VNT	PAINT	PAINT	
264	VNT	VNT	PAINT	PAINT	
265	VNT	VNT	PAINT	PAINT	
266	VNT	VNT	PAINT	PAINT	
267	VNT	VNT	PAINT	PAINT	
268	VNT	VNT	PAINT	PAINT	
269	VNT	VNT	PAINT	PAINT	
270	VNT	VNT	PAINT	PAINT	
271	VNT	VNT	PAINT	PAINT	
272	VNT	VNT	PAINT	PAINT	
273	VNT	VNT	PAINT	PAINT	
274	VNT	VNT	PAINT	PAINT	
275	VNT	VNT	PAINT	PAINT	
276	VNT	VNT	PAINT	PAINT	
277	VNT	VNT	PAINT	PAINT	
278	VNT	VNT	PAINT	PAINT	
279	VNT	VNT	PAINT	PAINT	
280	VNT	VNT	PAINT	PAINT	
281	VNT	VNT	PAINT	PAINT	
282	VNT	VNT	PAINT	PAINT	
283	VNT	VNT	PAINT	PAINT	
284	VNT	VNT	PAINT	PAINT	
285	VNT	VNT	PAINT	PAINT	
286	VNT	VNT	PAINT	PAINT	
287	VNT	VNT	PAINT	PAINT	
288	VNT	VNT	PAINT	PAINT	
289	VNT	VNT	PAINT	PAINT	
290	VNT	VNT	PAINT	PAINT	
291	VNT	VNT	PAINT	PAINT	
292	VNT	VNT	PAINT	PAINT	
293	VNT	VNT	PAINT	PAINT	
294	VNT	VNT	PAINT	PAINT	
295	VNT	VNT	PAINT	PAINT	
296	VNT	VNT	PAINT	PAINT	
297	VNT	VNT	PAINT	PAINT	
298	VNT	VNT	PAINT	PAINT	
299	VNT	VNT	PAINT	PAINT	
300	VNT	VNT	PAINT	PAINT	

DOOR NUMBER	DOOR TYPE	DOOR SIZE	FINISH	NOTES
252A	A	3'-0"		
252B	A	3'-0"		
252C	B	3'-0"		
252D	B	3'-0"		
252E	B	3'-0"		
252F	B	3'-0"		
252G	B	3'-0"		
252H	B	3'-0"		
252I	B	3'-0"		
252J	B	3'-0"		
252K	B	3'-0"		
252L	B	3'-0"		
252M	B	3'-0"		
252N	B	3'-0"		
252O	B	3'-0"		
252P	B	3'-0"		
252Q	B	3'-0"		
252R	B	3'-0"		
252S	B	3'-0"		
252T	B	3'-0"		
252U	B	3'-0"		
252V	B	3'-0"		
252W	B	3'-0"		
252X	B	3'-0"		
252Y	B	3'-0"		
252Z	B	3'-0"		
253A	A	3'-0"		
253B	A	3'-0"		
253C	A	3'-0"		
253D	A	3'-0"		
253E	A	3'-0"		
253F	A	3'-0"		
253G	A	3'-0"		
253H	A	3'-0"		
253I	A	3'-0"		
253J	A	3'-0"		
253K	A	3'-0"		
253L	A	3'-0"		
253M	A	3'-0"		
253N	A	3'-0"		
253O	A	3'-0"		
253P	A	3'-0"		
253Q	A	3'-0"		
253R	A	3'-0"		
253S	A	3'-0"		
253T	A	3'-0"		
253U	A	3'-0"		
253V	A	3'-0"		
253W	A	3'-0"		
253X	A	3'-0"		
253Y	A	3'-0"		
253Z	A	3'-0"		
254A	A	3'-0"		
254B	A	3'-0"		
254C	A	3'-0"		
254D	A	3'-0"		
254E	A	3'-0"		
254F	A	3'-0"		
254G	A	3'-0"		
254H	A	3'-0"		
254I	A	3'-0"		
254J	A	3'-0"		
254K	A	3'-0"		
254L	A	3'-0"		
254M	A	3'-0"		
254N	A	3'-0"		
254O	A	3'-0"		
254P	A	3'-0"		
254Q	A	3'-0"		
254R	A	3'-0"		
254S	A	3'-0"		
254T	A	3'-0"		
254U	A	3'-0"		
254V	A	3'-0"		
254W	A	3'-0"		
254X	A	3'-0"		
254Y	A	3'-0"		
254Z	A	3'-0"		
255A	A	3'-0"		
255B	A	3'-0"		
255C	A	3'-0"		
255D	A	3'-0"		
255E	A	3'-0"		
255F	A	3'-0"		
255G	A	3'-0"		
255H	A	3'-0"		
255I	A	3'-0"		
255J	A	3'-0"		
255K	A	3'-0"		
255L	A	3'-0"		
255M	A	3'-0"		
255N	A	3'-0"		
255O	A	3'-0"		
255P	A	3'-0"		
255Q	A	3'-0"		
255R	A	3'-0"		
255S	A	3'-0"		
255T	A	3'-0"		
255U	A	3'-0"		
255V	A	3'-0"		
255W	A	3'-0"		
255X	A	3'-0"		
255Y	A	3'-0"		
255Z	A	3'-0"		
256A	A	3'-0"		
256B	A	3'-0"		
256C	A	3'-0"		
256D	A	3'-0"		
256E	A	3'-0"		
256F	A	3'-0"		
256G	A	3'-0"		
256H	A	3'-0"		
256I	A	3'-0"		
256J	A	3'-0"		
256K	A	3'-0"		
256L	A	3'-0"		
256M	A	3'-0"		
256N	A	3'-0"		
256O	A	3'-0"		
256P	A	3'-0"		
256Q	A	3'-0"		
256R	A	3'-0"		
256S	A	3'-0"		
256T	A	3'-0"		
256U	A	3'-0"		
256V	A	3'-0"		
256W	A	3'-0"		
256X	A	3'-0"		
256Y	A	3'-0"		
256Z	A	3'-0"		

9 DOOR GLAZING STOP DETAIL
A1 SCALE 3" = 10'

8 WARDROBE ELEVATION
A1 SCALE 1/4" = 10'

7 H.M. DOOR FRAME DETAIL
A1 SCALE 3" = 10'

6 H.M. FRAME DETAIL
A1 SCALE 3" = 10'